

## General Purpose Solenoid Valves S1018 Series (G1/8", G1/4")

### GENERAL FEATURES

- Wide pressure range, flow rate and orifis options.
- Solenoid valvs are used with filters.
- Solenoid valves can be mounted in any position without affecting its operation; Coil to be used in a vertical position.

### ELECTRICAL CHARACTERISTICS

|                          |  |
|--------------------------|--|
| Continuous Duty          | : ED %100  |
| Coil Insulation Class    | : H (180°C)(IEC 85)  |
| Coil Impregnation        | : Polyester Fiber Glass  |
| Ambient Temperature      | : -20°C, +60°C   |
| Protection Degree        | : IP65 (ISO 60529) On request; IP68  |
| Electric Plug Connection | : DIN 46340 3- Poles Connector(DIN43650)   |
| Connector Specification  | : ISO 4400 / EN 175301-803 Form A,<br>Spade Plug (Cable Ø6-8 mm)   |
| Electrical Safety        | : IEC 335  |
| Standard Voltages        | : AC 12V 15VA, 24V 15VA, 48V, 15VA, 110V 15VA,<br>230V 15VA, 230V 24VA<br>DC 12V 18W, 24V 18W, 48V,18W, 110V 18W |

On request other voltages

Voltages Tolerance : AC -15%, +10% DC -5%, +10%

Frequency : 50 Hz (60 Hz...)

On request; Connector with LED, PWM Socket

Specify coil voltage with order

### MATERIALS IN CONTACT WITH FLUID

|                           |                                |
|---------------------------|--------------------------------|
| Body                      | : Brass                        |
| Internal Parts            | : Stainless Steel, Brass       |
| Sealing                   | : NBR, On request; EPDM, VITON |
| Shading Ring              | : Copper (EN 12735-1)          |
| Seats, Core Tube, Springs | : Stainless Steel              |

### OPTIONS

Female connection: BSP; (On request NPT)

• On request CR-Ni plated, PTFE coated done

• On request Atex (exproof) coil.

### TECHNICAL FEATURES

Max. Viscosity : 5°E (-37cST veya mm<sup>2</sup>/s)

Response Time : Opening time : 30 ms

Closing Time : 30 ms

### SEALS FEATURES

NBR : -20°C...+80°C

EPDM : -30°C...+130°C

VITON : -20°C...+160°C

PTFE : -10°C...+160°C

RUBY : -10°C...+160°C

RUBY : -10°C...+160°C

RUBY : -10°C...+160°C

RUBY : -10°C...+160°C

RUBY : -10°C...+160°C

RUBY : -10°C...+160°C

RUBY : -10°C...+160°C

RUBY : -10°C...+160°C

RUBY : -10°C...+160°C

RUBY : -10°C...+160°C

RUBY : -10°C...+160°C

RUBY : -10°C...+160°C

RUBY : -10°C...+160°C

RUBY : -10°C...+160°C

RUBY : -10°C...+160°C

RUBY : -10°C...+160°C

RUBY : -10°C...+160°C

RUBY : -10°C...+160°C

RUBY : -10°C...+160°C

RUBY : -10°C...+160°C

RUBY : -10°C...+160°C

RUBY : -10°C...+160°C

RUBY : -10°C...+160°C

RUBY : -10°C...+160°C

RUBY : -10°C...+160°C

RUBY : -10°C...+160°C

RUBY : -10°C...+160°C

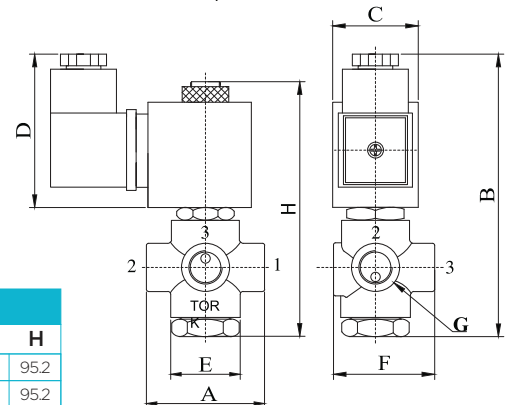
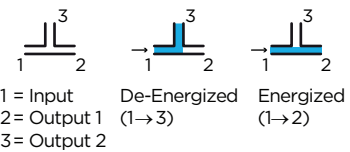


**NORMALLY CLOSED**

**3 WAY**

**DIRECT ACTING**

**ΔP=0**



| Dimensions (mm) |      |       |    |      |    |      |      |
|-----------------|------|-------|----|------|----|------|------|
| G               | A    | B     | C  | D    | E  | F    | H    |
| 1/8"            | 44.2 | 105.5 | 32 | 57.3 | 26 | 37.8 | 95.2 |
| 1/4"            | 44.2 | 105.5 | 32 | 57.3 | 26 | 37.8 | 95.2 |

| Coils         | Nominal Values | Cold/ Hot | Inrush | Holding | Current (A) | Surface Temperature (°C) |
|---------------|----------------|-----------|--------|---------|-------------|--------------------------|
| C40012VDC18W  | 12VDC 18W      | COLD      | 19,56  | 19,56   | 1,63        | 20                       |
|               |                | HOT       | 14,52  | 14,52   | 1,21        | 106                      |
| C40024VDC18W  | 24VDC 18W      | COLD      | 20,88  | 20,88   | 0,87        | 25                       |
|               |                | HOT       | 14,64  | 14,64   | 0,61        | 116                      |
| C40110VDC18W  | 110VDC 18W     | COLD      | 19,96  | 19,96   | 0,18        | 23                       |
|               |                | HOT       | 13,56  | 13,56   | 0,123       | 115                      |
| C40012VAC15VA | 12VAC 15VA     | COLD      | 23,81  | 16,43   | 1,3         | 25                       |
|               |                | HOT       | -      | 15,86   | 1,262       | 79                       |
| C40024VAC15VA | 24VAC 15VA     | COLD      | 25,82  | 15,02   | 0,62        | 22                       |
|               |                | HOT       | -      | 13,91   | 0,57        | 81                       |
| C40110VAC15VA | 110VAC 15VA    | COLD      | 30,65  | 15,17   | 0,137       | 24                       |
|               |                | HOT       | -      | 13,96   | 0,126       | 80                       |
| C40230VAC15VA | 230VAC 15VA    | COLD      | 31,4   | 15,64   | 0,068       | 25                       |
|               |                | HOT       | -      | 14,41   | 0,063       | 80                       |
| C40230VAC15VA | 230VAC 24VA    | COLD      | 45,1   | 23,92   | 0,0154      | 23                       |
|               |                | HOT       | -      | 21,62   | 0,0154      | 100                      |

### STANDARDS

• Standard tube connection G (BSP) (ISO 228-1) and other tube connections (NPT (ANSI 1.20.3)) are available on request.

• TORK solenoid valves 97/23/EC, are available for pressure equipment directive (PED) and 2006/95/ECC low voltage directive (LVD).

**Not:** Please look catalogues for more details.

| Solenoid Vave Symbol | Valve Type/ Order No | Connection Size | Orifice Size | Pressure min/max |     | Kv    | Seal |         |      | Weight |
|----------------------|----------------------|-----------------|--------------|------------------|-----|-------|------|---------|------|--------|
|                      |                      |                 |              | Bar              | Bar |       | NBR  | Opsiyon | EPDM |        |
|                      | S1018                | G               | mm           | Bar              | Bar | l/min | NBR  | VITON   | EPDM | kg     |
|                      | S1018.00.018         | 1/8"            | 1.8          | 0                | 16  | 1.6   | ✓    | ✓       | ✓    | 0,44   |
|                      | S1018.00.025         | 1/8"            | 2.5          | 0                | 12  | 3.2   | ✓    | ✓       | ✓    | 0,44   |
|                      | S1018.00.035         | 1/8"            | 3.5          | 0                | 10  | 4.6   | ✓    | ✓       | ✓    | 0,44   |
|                      | S1018.01.018         | 1/4"            | 1.8          | 0                | 16  | 1.6   | ✓    | ✓       | ✓    | 0,43   |
|                      | S1018.01.025         | 1/4"            | 2.5          | 0                | 12  | 3.2   | ✓    | ✓       | ✓    | 0,43   |
| S1018.01.035         | 1/4"                 | 3.5             | 0            | 10               | 4.6 | ✓     | ✓    | ✓       | 0,43 |        |