

S1010-F / S1011-F SERIES G1 1/4", G1 1/2", G2"

General Features

- Wide pressure range, flow rate and orifis options.
- Solenoid valves are used with filters.
- Solenoid valves can be mounted in any position without affecting its operation.
- Coil to be used in a vertical position.

Electrical Characteristics

Continuous Duty	: ED %100
Coil Insulation Class	: H (180°C)(IEC 85)
Coil Impregnation	: Polyester Fiber Glass
Ambient Temperature	: -20°C, +60°C
Protection Degree	: IP65 (ISO 60529) On request;IP68
Electric Plug Connection	: DIN 46340 3- Poles Connector(DIN43650)
Connector Specification	: ISO 4400 / EN 175301-803 Form A, Spade Plug (Cable Ø6-8 mm)
Electrical Safety	: IEC 335
Standard Voltages	: AC 12V 15VA, 24V 15VA, 48V, 15VA, 110V 15VA, 230V 15VA, 230V 24VA DC 12V 18W, 24V 18W, 48V,18W, 110V 18W

On request other voltages

Voltages Tolerance : AC -15%, +10% DC -5%, +10%

Frequency : 50 Hz (60 Hz...)

On request; Connector with LED, PWM Socket

Specify coil voltage with order

Materials In Contact With Fluid

Body	: Brass
Internal Parts	: Stainless Steel
Sealing	: NBR(On request; EPDM, VITON)
Shading Ring	: Copper (EN 12735-1)
Seats, Core Tube, Springs	: Stainless Steel

Options

- Female connection: BSP; (On request NPT)
- On request CR-Ni plated, PTFE coated done
- On request Atex (exproof) coil.

Technical Features

Max. Viscosity	: 5°E (-37cST veya mm ² /s)
Response Time	: Opening time : 400 ms- 1600 ms Closing Time : 1000 ms- 2000 ms

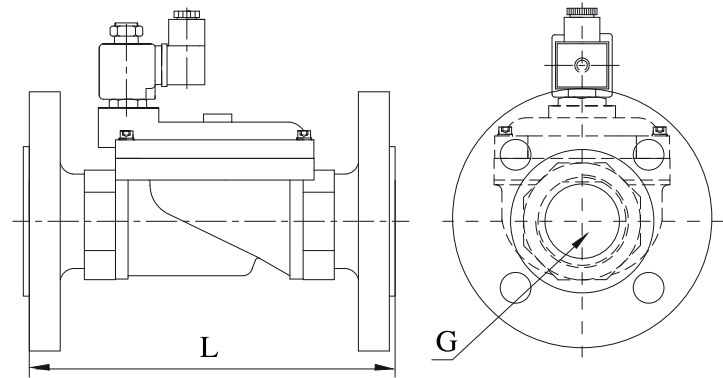
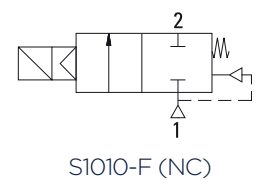
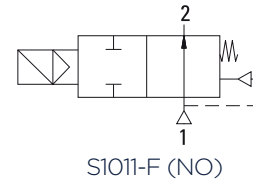
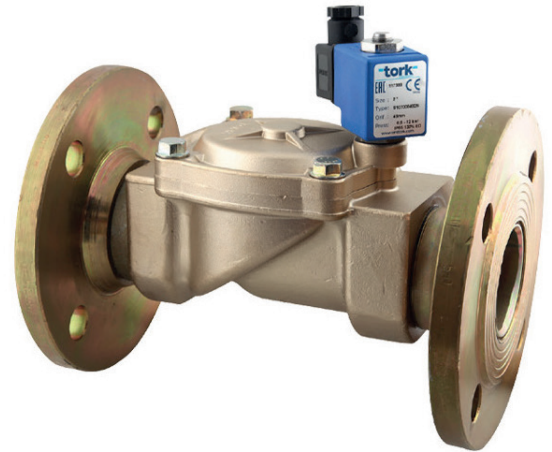
Seals Features

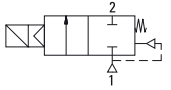
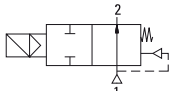
NBR	: -20°C...+80°C
EPDM	: -30°C...+130°C
VITON	: -20°C...+160°C

Dimensions (mm)

DN	32	40	50
L	180	200	230

NORMALLY OPEN
NORMALLY CLOSED
2/2 WAY
PILOT OPERATED
ΔP=0.5



Solenoid Valve Symbol	Valve Type/ Order No	Connection Size	Orifice Size	Pressure		Kv	Seal			Weight
				min	max		NBR	Viton	EPDM	
 S1010-F (NC)	S1010-F	G	mm	Bar	Bar	lt/dk		Option		kg
							NBR	Viton	EPDM	
 S1011-F (NO)	S1010.05-F	1"	17	0.5	16	90	✓	✓	✓	1,6
	S1010.06-F	1 1/4"	30	0.5	12	250	✓	✓	✓	1,75
	S1010.07-F	1 1/2"	39	0.5	12	370	✓	✓	✓	2,47
	S1010.08-F	2"	46	0.5	12	450	✓	✓	✓	3,98
	S1011.05-F	1"	17	0.5	12	90	✓	✓	✓	1,6
	S1011.06-F	1 1/4"	30	0.5	12	250	✓	✓	✓	1,75
	S1011.07-F	1 1/2"	39	0.5	12	370	✓	✓	✓	2,47
	S1011.08-F	2"	46	0.5	12	450	✓	✓	✓	3,98