

Threaded Connection Pneumatic Piston Valves

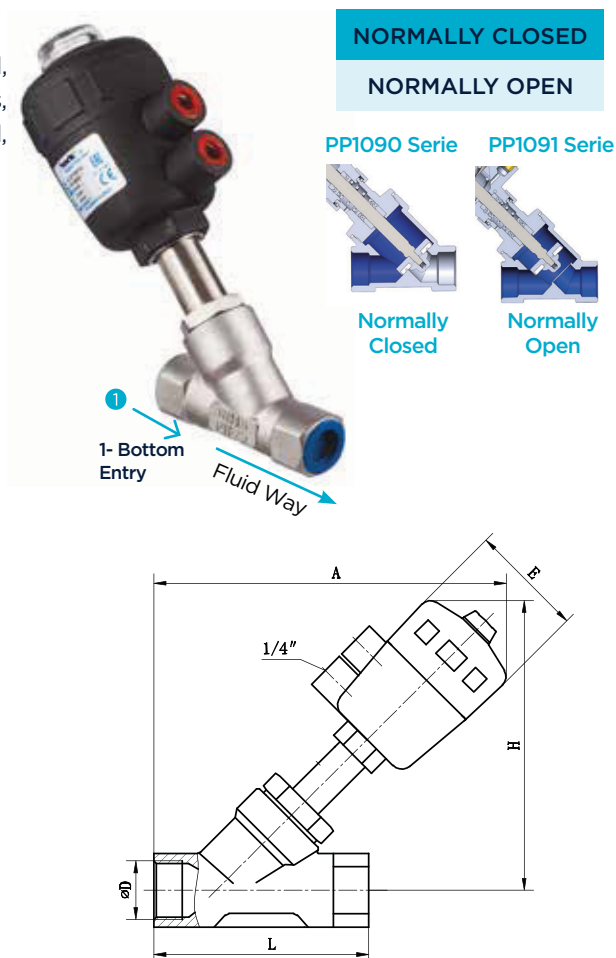
PP1090, PP1091 Serie

Application Areas

Water, Air, Vapour, Gas, Chemicals, Petrol Products, Food, Pharmaceutical, Sterilized Environment, Refining, Dye Machines, Packaging Machines, Drinking Water Station, Vacuum Applications, Oil, Petrol, Alcohol, Hydraulic Oil, Salt Water, Natural Gas, Acid

Technical Features

- Opening Closing Time** : 30-40 ms
- Fluid Viscosity** : Max. 600 mm²/s
- Actuator Material** : Fiber glass reinforced poliamid (PAGF30)
- Positioner and Switch Bos** : Connectable
- Connection Type** : Threaded or Flanged
- Control Valve** : 3/2 way TORK Solenoid Valve
- Montage Way** : Flow must be in the direction of the arrow on the body
- Body** : Whole stainless steel body



Type	L	A	H	D	E	Actuator
DN15	85	172	137	1/2"	64	Ø50
DN20	95	178	145	3/4"	64	Ø50
DN25	105	210	165	1"	64	Ø50
DN32	120	220	180	1 1/4"	80	Ø63
DN40	130	228	190	1 1/2"	80	Ø63
DN50	150	268	245	2"	100	Ø80
DN65	185	282	272	2 1/2"	126	Ø100

PP1090 Serie Normally Closed

Connection Size	Orifice Size	Working Pressure*		Control Cylinder	KV	Fluid Temperature		Seal	Valve Type/ Order No	Weight
G"	mm	mm min	mm max	Ø	lt/min	°C min	°C max		PP1090	kg
1/2"	13,5	-1	16	50	70	-20	180	PTFE	PP1090.03	800
3/4"	18	-1	16	50	141	-20	180	PTFE	PP1090.04	1.050
1"	24	-1	16	50	166	-20	180	PTFE	PP1090.05	1.150
1 1/4"	32	-1	16	63	416	-20	180	PTFE	PP1090.06	2.150
1 1/2"	35	-1	16	63	583	-20	180	PTFE	PP1090.07	2.450
2"	45	-1	16	80	666	-20	180	PTFE	PP1090.08	4.000
2 1/2"	61	-1	16	100	1500	-10	180	PTFE	PP1090.09	8.000

PP1091 Serie Normally Open

Connection Size	Orifice Size	Working Pressure*		Control Cylinder	KV	Fluid Temperature		Seal	Valve Type/ Order No	Weight
G"	mm	mm min	mm max	Ø	lt/min	°C min	°C max		PP1091	kg
1/2"	13,5	-1	16	50	70	-10	120	PTFE	PP1091.03	800
3/4"	18	-1	16	50	141	-10	120	PTFE	PP1091.04	1.050
1"	24	-1	16	50	166	-10	120	PTFE	PP1091.05	1.150
1 1/4"	32	-1	16	63	416	-10	120	PTFE	PP1091.06	2.150
1 1/2"	35	-1	16	63	583	-10	120	PTFE	PP1091.07	2.450
2"	45	-1	16	80	666	-10	120	PTFE	PP1091.08	4.000

* The maximum working pressure in the tables is given according to the pilot pressure of 6 bar.