

ATEX Thermal Coil C46 Series

The C46 series coils are specially designed for use in ex-proof (explosion-proof) environments. In the event of abnormal temperature rise, the built-in thermal protection cuts off the power supply to the coil to stop the fluid flow, preventing any risk of fire or explosion. Once the temperature returns to normal operating levels, the coil automatically resumes operation.

GENEL ÖZELLİKLERİ

- New design
- Better performance
- Long life
- 120 °C thermal protection
- Specially manufactured for ATEX environments

COIL CHARACTERISTICS

Continuous Duty	: ED %100
Coil wire thermal insulation class	: HB (180°C) IEC 60317-51 or HC (200 °C) IEC 60317-38
Coil Encapsulation Material	: Fiber Glass Reinforced Poliamid 6.6 GFR 30 FR V0
Ambient Temperature	: -10°C, +80°C
Thermal Relay Rating	: 120 °C
IP Protection Degree	: IP67 as standard (ISO 60529), IP68 on request
Connector Specification	: ISO 4400 / EN 175301-803 Form A
Electric connection	: With 3x0.75 mm ² cable, 3 meters (different sizes available upon request)
Cable specification	: HFFR (Halogen-Free, Flame Retardant)
Standard Voltages	: AC 12V, 24V, 48V, 110V, 230V DC 12V, 24V, 48V, 110V
Standard power	: AC 15 VA, DC 18W
Frequency	: 50/ 60 Hz
Voltages tolerance	: +/- 10 %

ATEX SPECIFICATIONS

Certificate number	: IEP 18 ATEX 0565X
ATEX directive	: 2014/ 34/ AB
Compliance standards	: EN IEC 60079-0:2018, EN 60079-18:2015, EN 60079-31:2014
ExProof protection class	: Ex II 2G Ex mb IIC T4 Gb Ex II 2D Ex tb IIIC T120 °C Db

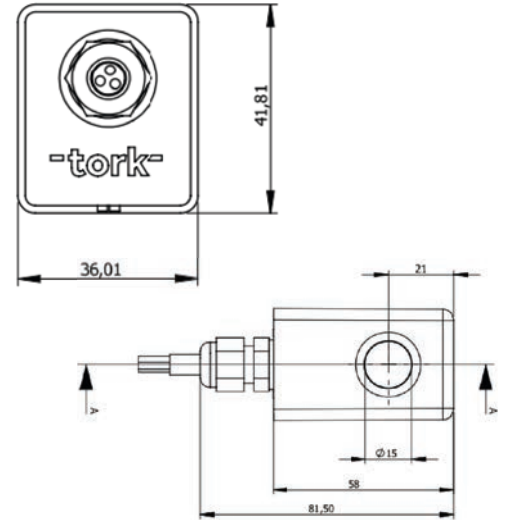
WIRING CONNECTIONS

Brown cable	: L / +VDC
Yellow-green cable	: Ground
Blue cable	: N / GND

Coils	Nominal Values	Cold/ Hot	Inrush	Holding	Current (A)	Surface Temperature (°C)
C46012VDC18W	12VDC 18W	COLD	19,56	19,56	1,63	20
		HOT	14,52	14,52	1,21	106
C46024VDC18W	24VDC 18W	COLD	20,88	20,88	0,87	25
		HOT	14,64	14,64	0,61	116
C46110VDC18W	110VDC 18W	COLD	19,96	19,96	0,18	23
		HOT	13,56	13,56	0,123	115
C46012VAC15VA	12VAC 15VA	COLD	23,81	16,43	1,3	25
		HOT	-	15,86	1,262	79
C46024VAC15VA	24VAC 15VA	COLD	25,82	15,02	0,62	22
		HOT	-	13,91	0,57	81
C46110VAC15VA	110VAC 15VA	COLD	30,65	15,17	0,137	24
		HOT	-	13,96	0,126	80
C46230VAC15VA	230VAC 15VA	COLD	31,4	15,64	0,068	25
		HOT	-	14,41	0,063	80
C46230VAC15VA	230VAC 24VA	COLD	45,1	23,92	0,0154	23
		HOT	-	21,62	0,0154	100

POWER RATINGS / Direct Current (DC)

Coils Type	Voltage (V)	Power (VA)	Current (A)
C46012VDC18W	12	18	1,25
C46024VDC18W	24	18	0,8
C46048VDC18W	48	18	0,37
C46110VDC18W	110	18	0,163



POWER RATINGS / Alternating Current (AC)

Coils Type	Voltage (V)	Power (VA)	Current (A)
C46012VAC15VA	12	15	1,25
C46024VAC15VA	24	15	0,521
C46048VAC15VA	48	15	0,312
C46110VAC15VA	110	15	0,12
C46230VAC15VA	230	15	0,06
C46230VAC24VA	230	24	0,096