

# C41 ATEX CERTIFICATED EXPROOF COIL

## GENERAL FEATURES

- New design
- Better performance
- Long life
- For use in potentially explosive areas
- Easy electrical installation by built-in cable, standard length 3m.

## COIL CHARACTERISTICS

Continuous Duty : ED %100  
 Coil wire thermal insulation class : HB (180°C) IEC 60317-51 or HC (200 °C) IEC 60317-38  
 Coil Encapsulation Material : Fiber Glass Reinforced Poliamid 6.6 GFR 30 FR V0  
 Ambient Temperature : -25°C, +55°C  
 IP Protection Degree : IP67 as standard (ISO 60529), IP68 on request  
 Connector Specification : ISO 4400 / EN 175301-803 Form A  
 Electric connection : With 3x0.75 mm<sup>2</sup> cable, 3 meters  
 (different sizes available upon request)

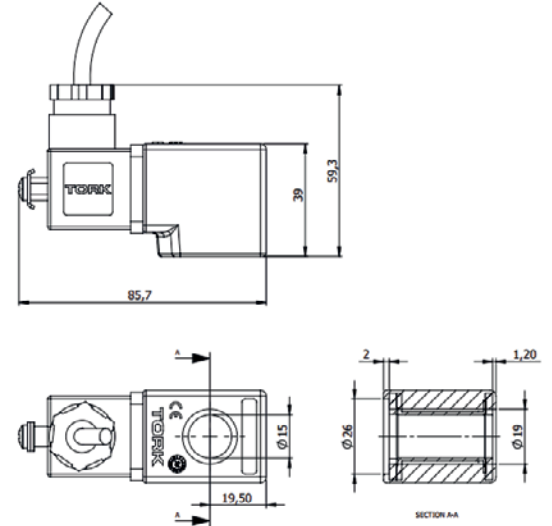
Cable specification : HFFR (Halogen-Free, Flame Retardant)  
 Standard Voltages : AC 12V, 24V, 48V, 110V, 230V  
 DC 12V, 24V, 48V, 110V  
 Standard power : AC 15 VA, DC 18W  
 Frequency : 50 Hz (60 Hz...)  
 Voltages Tolerance : +/- 10 %

## ATEX SPECIFICATIONS

Certificate number : IEP 13 ATEX 0182X  
 ATEX directive : 2014/ 34/ EU  
 Compliance standards : EN IEC 60079-0:2018, EN 60079-18:2015, EN 60079-31:2014  
 ExProof protection class : Ex II 2G Ex mb IIC T4 Gb  
 : Ex II 2D Ex tb IIIC T 135°C Db

## WIRING CONNECTIONS

Brown cable : L / +VDC  
 Yellow-green cable : Ground  
 Blue cable : N / GND



Coils	Nominal Values	Cold/ Hot	Inrush	Holding	Current (A)	Surface Temperature (°C)
C41012VDC18W	12VDC 18W	COLD	19,56	19,56	1,63	20
		HOT	14,52	14,52	1,21	106
C41024VDC18W	24VDC 18W	COLD	20,88	20,88	0,87	25
		HOT	14,64	14,64	0,61	116
C41110VDC18W	110VDC 18W	COLD	19,96	19,96	0,18	23
		HOT	13,56	13,56	0,123	115
C41012VAC15VA	12VAC 15VA	COLD	23,81	16,43	1,3	25
		HOT	-	15,86	1,262	79
C41024VAC15VA	24VAC 15VA	COLD	25,82	15,02	0,62	22
		HOT	-	13,91	0,57	81
C41110VAC15VA	110VAC 15VA	COLD	30,65	15,17	0,137	24
		HOT	-	13,96	0,126	80
C41230VAC15VA	230VAC 15VA	COLD	31,4	15,64	0,068	25
		HOT	-	14,41	0,063	80
C41230VAC15VA	230VAC 24VA	COLD	45,1	23,92	0,0154	23
		HOT	-	21,62	0,0154	100

## POWER RATINGS / Direct Current (DC)

Coils Type	Voltage (V)	Power (VA)	Current (A)
C41012VDC18W	12	18	1,25
C41024VDC18W	24	18	0,8
C41048VDC18W	48	18	0,37
C41110VDC18W	110	18	0,163

## POWER RATINGS / Alternating Current (AC)

Coils Type	Voltage (V)	Power (VA)	Current (A)
C41012VAC15VA	12	15	1,25
C41024VAC15VA	24	15	0,521
C41048VAC15VA	48	15	0,312
C41110VAC15VA	110	15	0,12
C41230VAC15VA	230	15	0,06
C41230VAC24VA	230	24	0,096